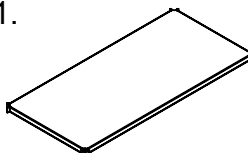
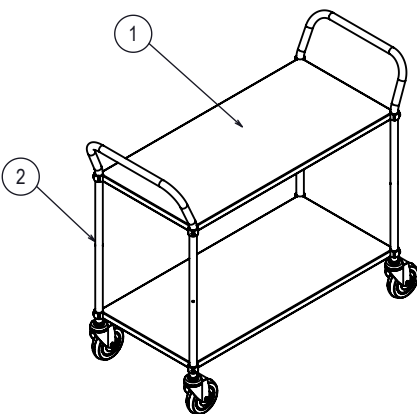
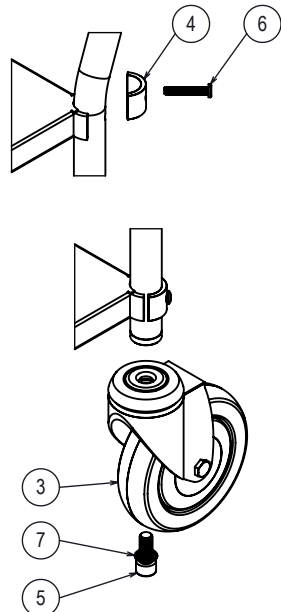
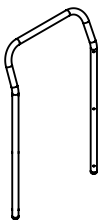




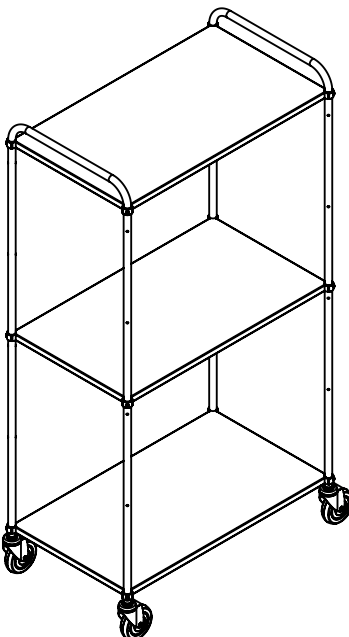

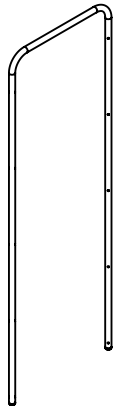
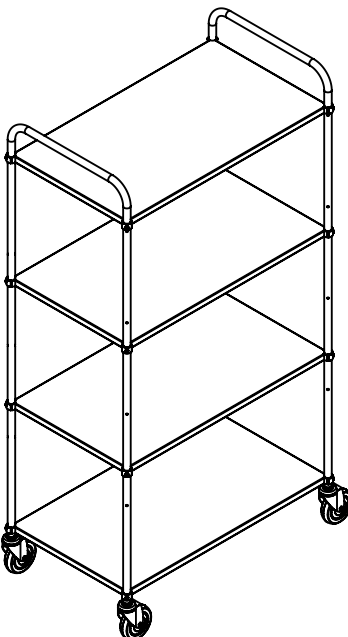


# SHELF TROLLEY

	1	2	3	4	5	
1. 	2x	3x	3x	4x	5x	<u>1</u>  
2. 	2x	2x	-	-	-	
3.  Ø125	4x	4x	4x	4x	4x	
4. 	8x	12x	12x	16x	20x	
5.  M10x25	4x	4x	4x	4x	4x	
6.  M6x35	8x	12x	12x	16x	20x	<u>3</u> 
7.  Ø10	4x	4x	4x	4x	4x	
8. 	-	-	2x	2x	2x	
						<u>4</u> 
						<u>5</u> 