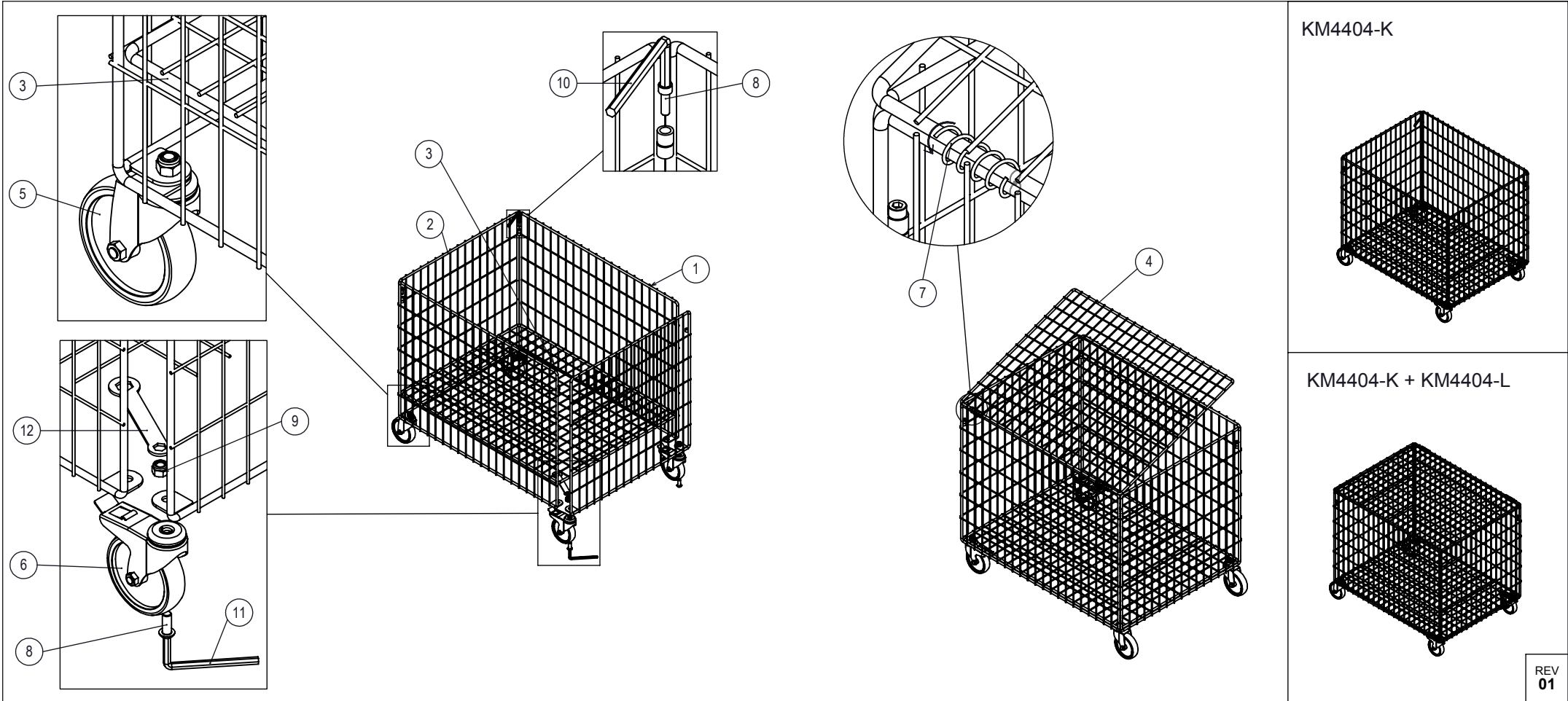
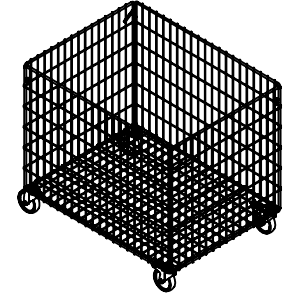


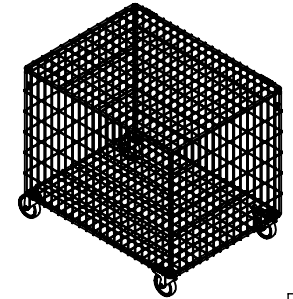
# KM4404-K, KM4404-L



KM4404-K



KM4404-K + KM4404-L



REV  
01

	1.	2.	3.	4.	5.	6.	7.	8.	9.	10.	11.	12.
					Ø 100	Ø 100		M10x25	M10	5mm / 6mm		13-17mm
KM4404-K	2x	2x	1x	-	2x	2x	-	4x	4x	1x	1x	1x
KM4404-L	-	-	-	1x	-	-	2x	-	-	-	-	-